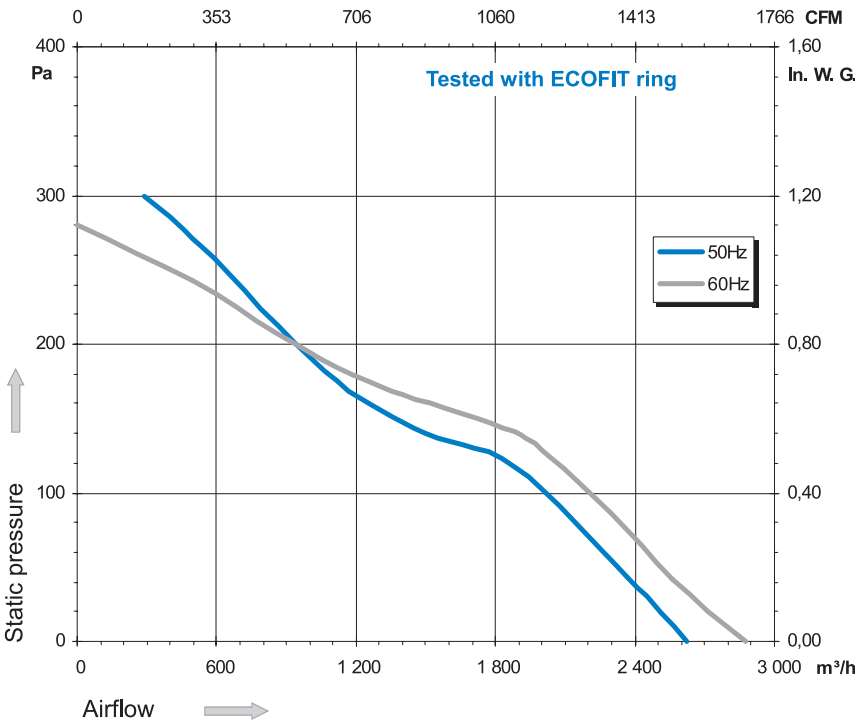
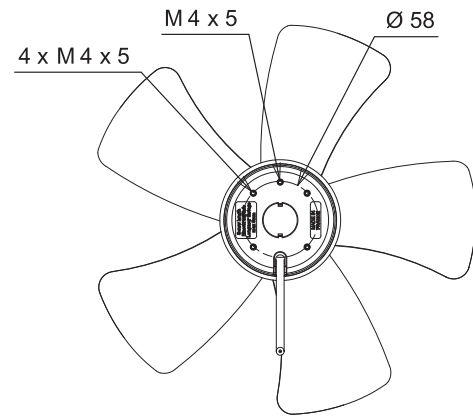
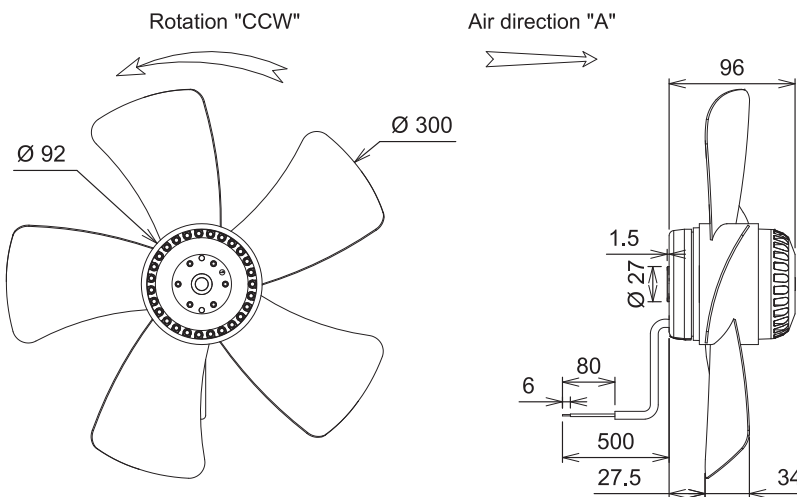


Ind. a - Revision : 08-2008

2VRE45 300A

P/N I43-A0

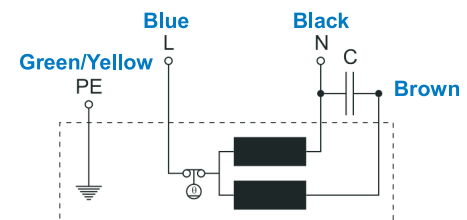
Voltage	Frequency	Input power	Current	Capacitor	Airflow	Speed rotation	Noise level	Rotation direction	Operating temperature
V	Hz	Wa	A	µF	m³/h	RPM	dBA	↻	Min / Max
230	50	181	0,79	6,0	2 625	2 650	74	L	-20°C / +70°C
230	60	261	1,14	6,0	2 880	2 940	77	L	-20°C / +70°C
230	50				1545 CFM				-4°F / +158°F
230	60				1695 CFM				-4°F / +158°F



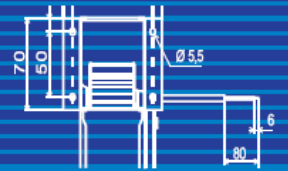
- Weight: 2,9 Kg
- Ball bearing
- Class F, thermally protected
- IP54 protection
- G6.3 balancing
- Rotor and impeller : black paint



Capacitor for 50Hz	Capacitor for 60Hz	Connecting box	Connector
19016	19016	39658	09145



Non contractual document. All specifications are subject to change without prior notice. Picture for information only.



For professional use only. Please refer to the conditions of use of our catalogue.



Axial fan

300

