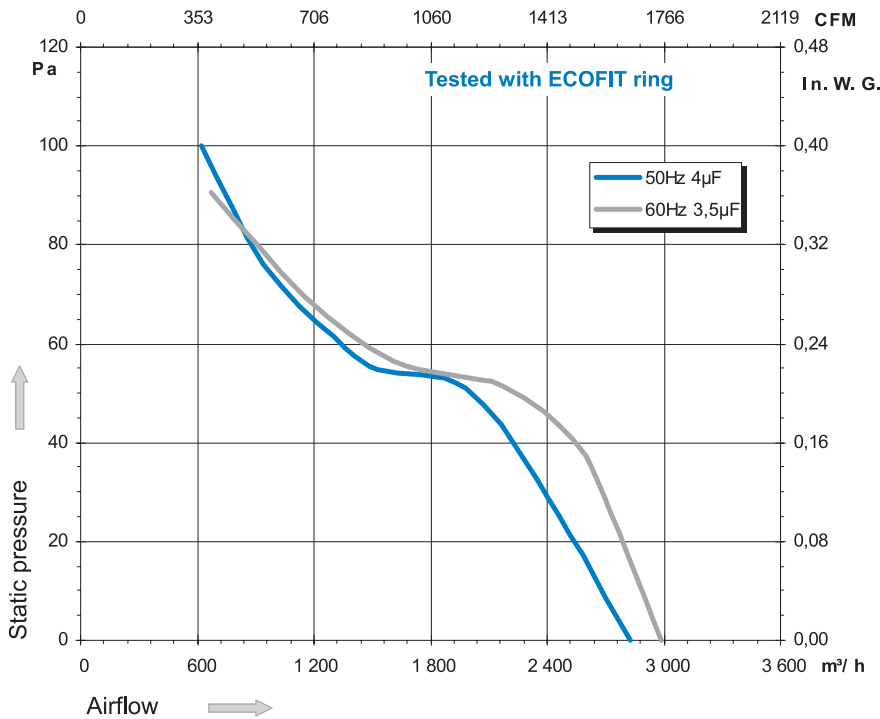
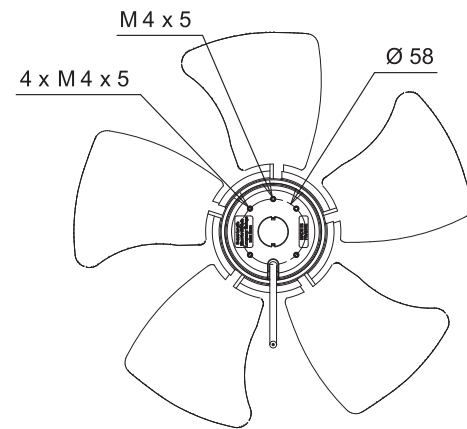
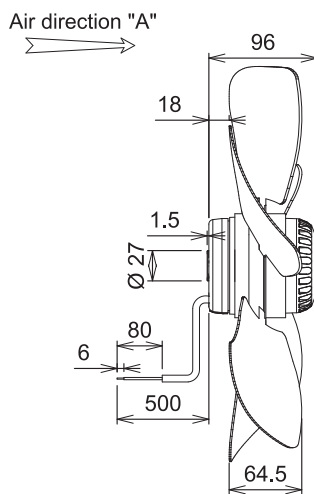
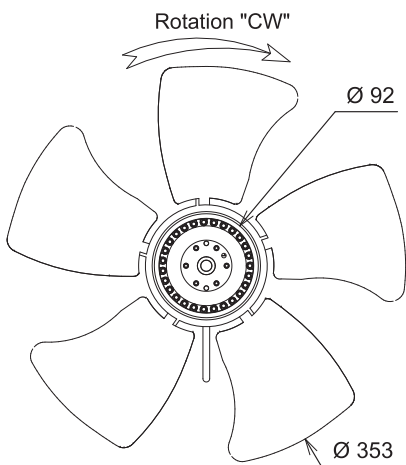
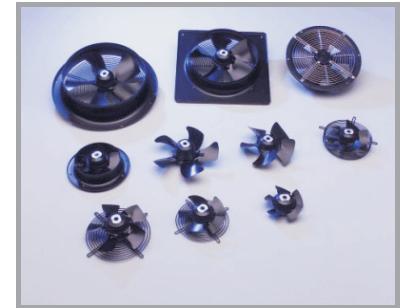


Ind. a - Revision : 08-2008

4VRE45 350A P/N I27-A0

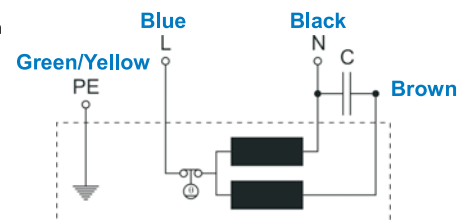
| Voltage | Frequency | Input power | Current | Capacitor | Airflow | Speed rotation | Noise level | Rotation direction | Operating temperature |
|---------|-----------|-------------|---------|-----------|-------------------|----------------|-------------|--------------------|-----------------------|
| V | Hz | Wa | A | μ F | m ³ /h | RPM | dBA | | Min / Max |
| 230 | 50 | 132 | 0,63 | 4,0 | 2 585 | 1 280 | 61 | R | -20°C / +50°C |
| 230 | 60 | 151 | 0,66 | 3,5 | 2 990 | 1 400 | 63 | R | -20°C / +70°C |
| 230 | 50 | | | | 1521 CFM | | | | -4°F / +122°F |
| 230 | 60 | | | | 1759 CFM | | | | -4°F / +158°F |



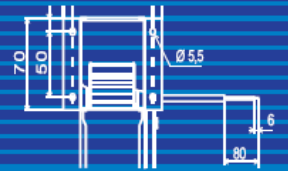
- Weight: 3,3 Kg
- Ball bearing
- Class F, thermally protected
- IP54 protection
- G6.3 balancing
- Zinc coated impeller
- Rotor and impeller : black paint



Capacitor for 50Hz: 19019
 Capacitor for 60Hz: 19049
 Connecting box: 39658
 Connector: 09145



Non contractual document. All specifications are subject to change without prior notice. Picture for information only.



Axial fan

350

