

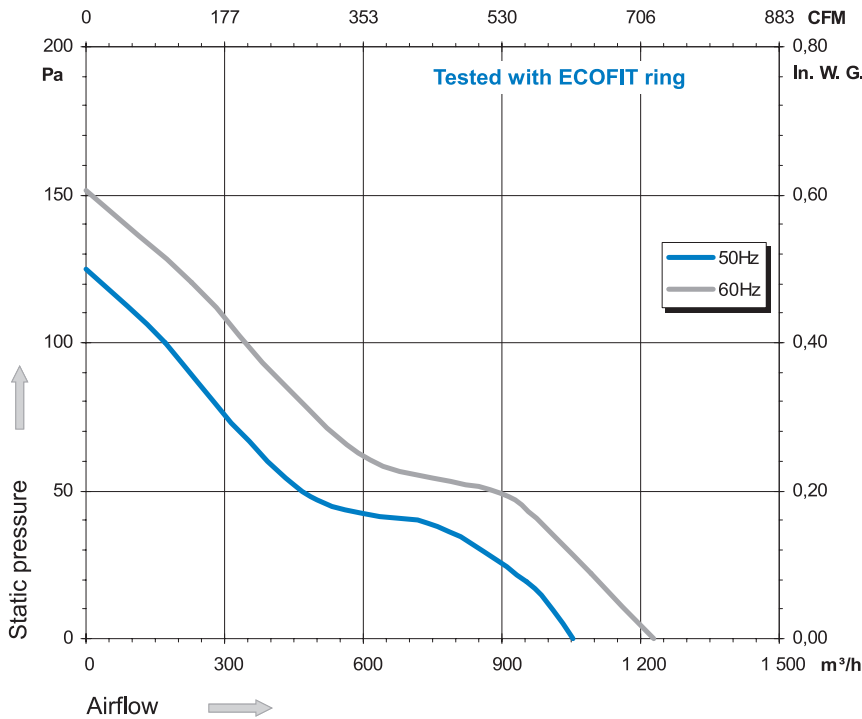
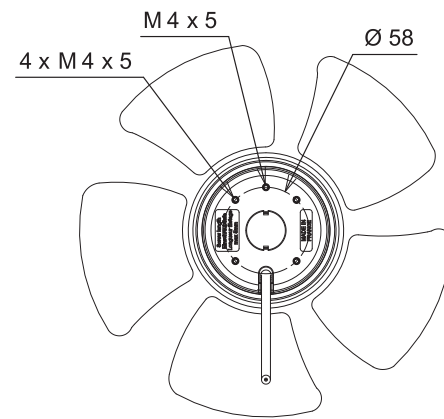
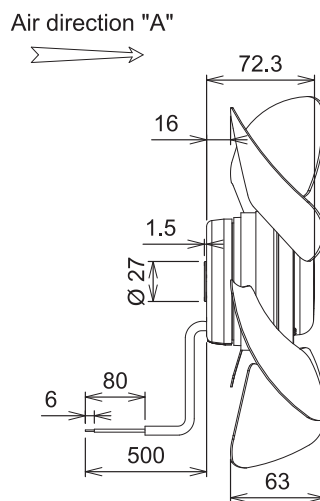
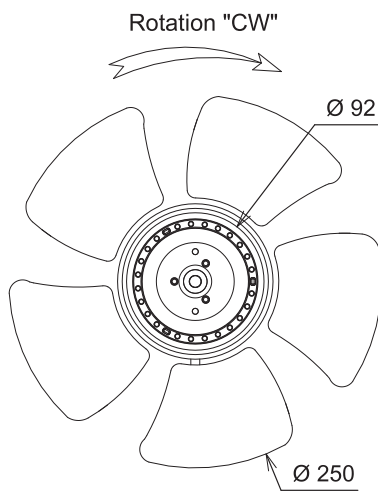
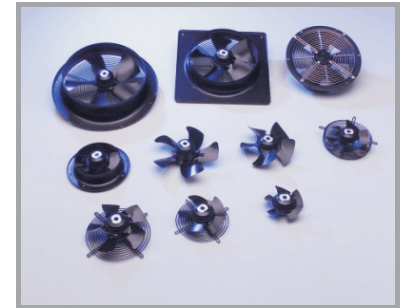
Ind. c - Revision : 08-2008

4VRE25 250A

P/N I24-A3

Substitute for P04-18

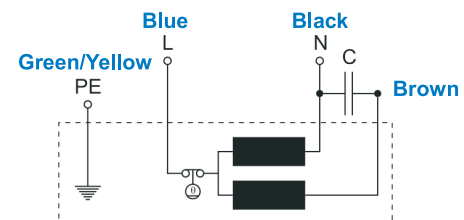
Voltage	Frequency	Input power	Current	Capacitor	Airflow	Speed rotation	Noise level	Rotation direction	Operating temperature
V	Hz	Wa	A	µF	m³/h	RPM	dBA	↻	Min / Max
230	50	63	0,28	2,0	1 050	1 395	52	R	-20°C / +60°C
230	60	72	0,32	2,0	1 230	1 620	56	R	-20°C / +70°C
230	50				618 CFM				-4°F / +140°F
230	60				723 CFM				-4°F / +158°F



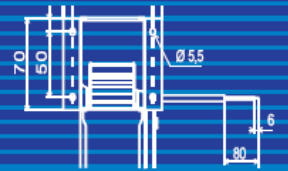
- Weight: 1,9 Kg
- Ball bearing
- Class F, thermally protected
- IP54 protection
- G6.3 balancing
- Zinc coated impeller
- Rotor and impeller : black paint



Capacitor for 50Hz	Capacitor for 60Hz	Connecting box	Connector
19008	19008	39658	09145



Non contractual document. All specifications are subject to change without prior notice. Picture for information only.



Axial fan

250

