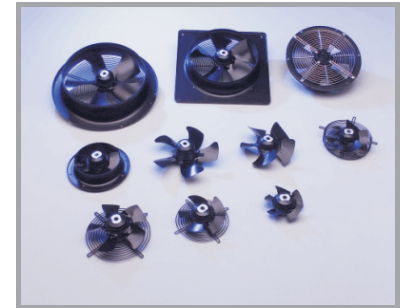


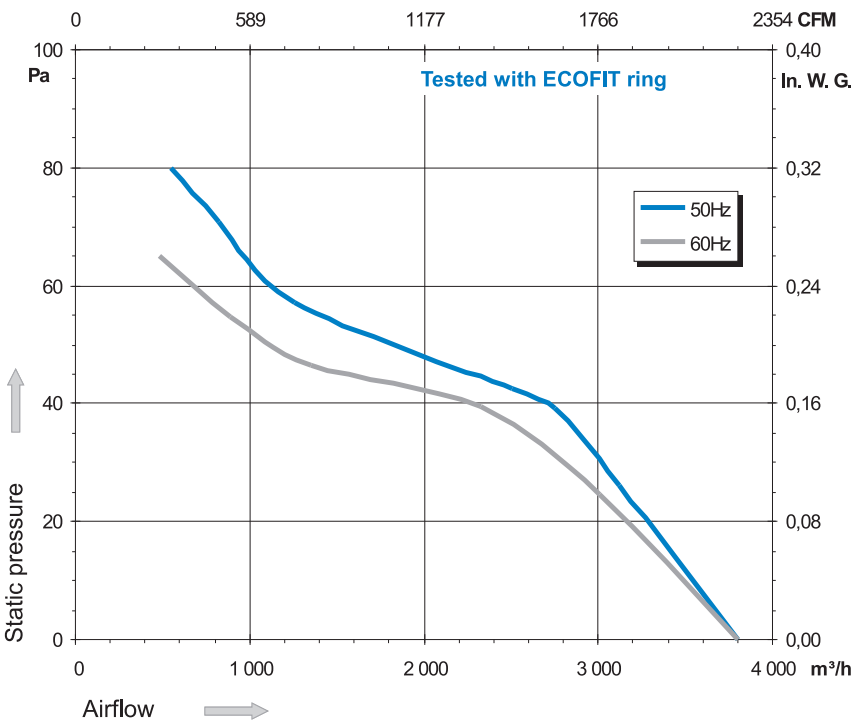
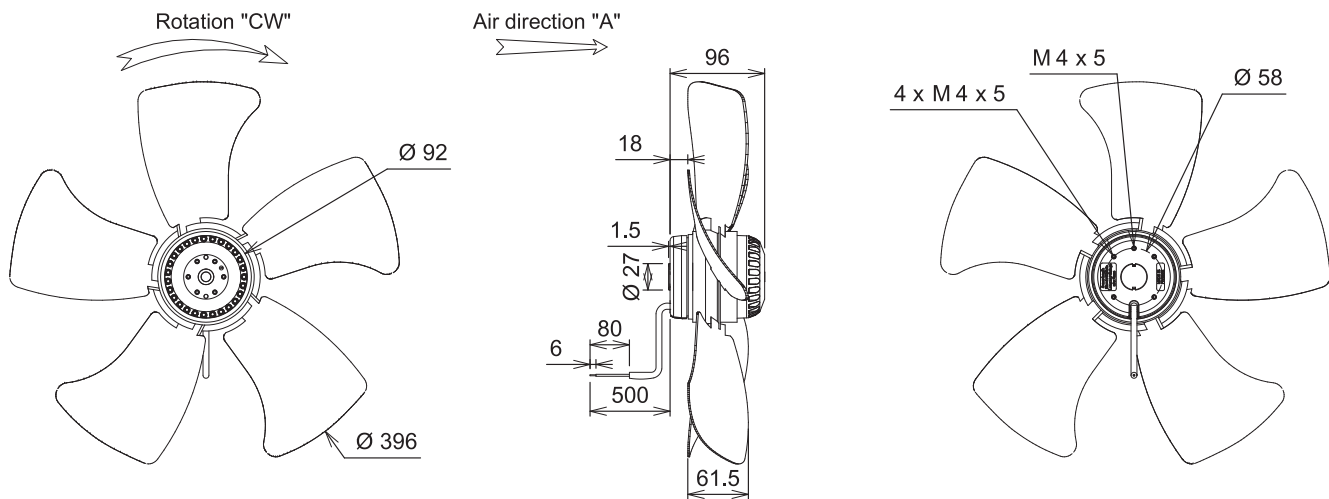
Ind. a - Revision : 08-2008

## 4VRE45 400A P/N G03-A3

Voltage	Frequency	Input power	Current	Capacitor	Airflow	Speed rotation	Noise level	Rotation direction	Operating temperature
V	Hz	Wa	A	µF	m³/h	RPM	dBA	↻	Min / Max
230	50	145	0,66	4,0	3 800	1 175	62	R	-20°C / +65°C*
230	60	167	0,75	3,5	3 800	1 200	62	R	-20°C / +60°C
230	50				2236 CFM				-4°F / +149°F
230	60				2236 CFM				-4°F / +140°F



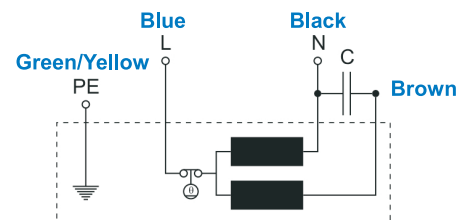
\* at free blowing



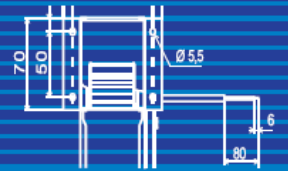
- Weight: 3,4 Kg
- Ball bearing
- Class F, thermally protected
- IP54 protection
- G6.3 balancing
- Zinc coated impeller
- Rotor and impeller : black paint
- Power max: 180W



Capacitor for 50Hz	Capacitor for 60Hz	Connecting box	Connector
19019	19049	39658	09145



Non contractual document. All specifications are subject to change without prior notice. Picture for information only.



For professional use only. Please refer to the conditions of use of our catalogue.



## Axial fan

### 400

