



Ind. a - Revision : 07-2003

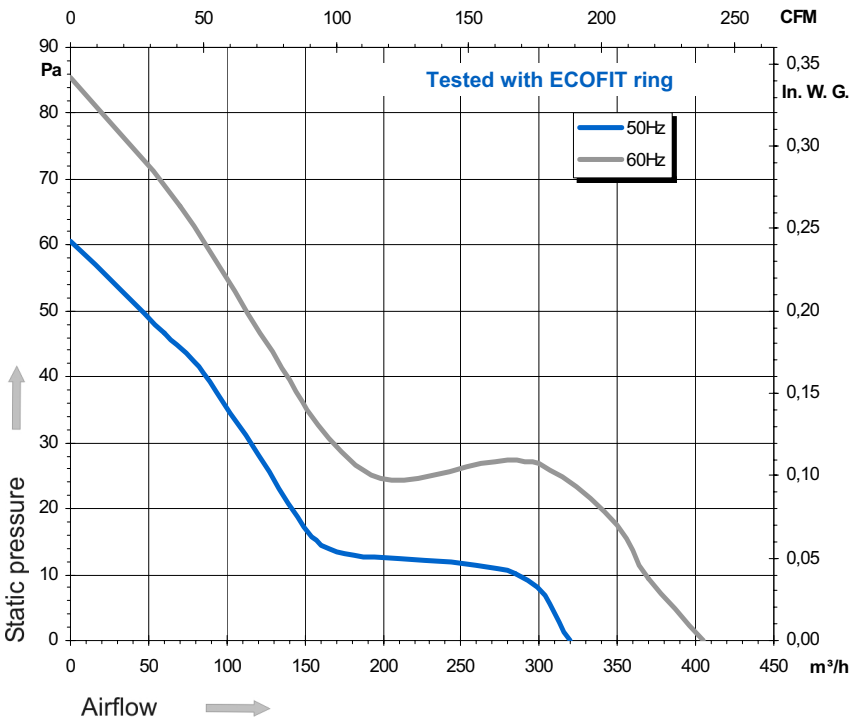
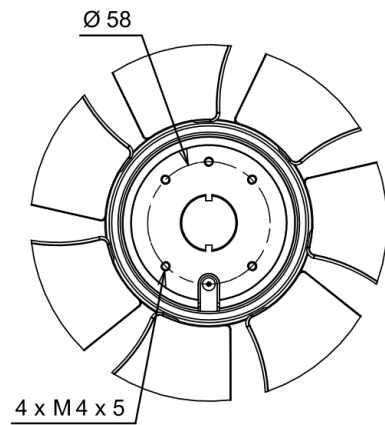
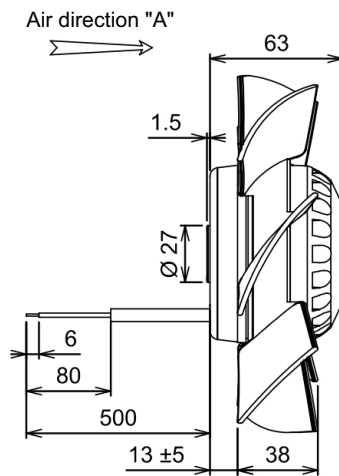
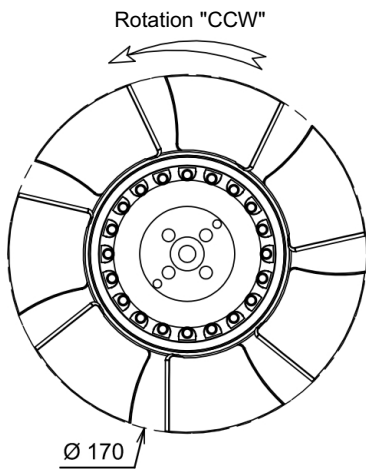
## 4VRE15 170A

## P/N B22-B8

Substitute for V01-02

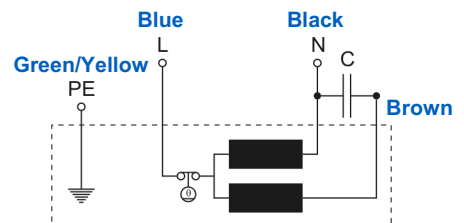


Voltage	Frequency	Input power	Current	Capacitor	Airflow	Speed rotation	Noise level	Rotation direction	Operating temperature
V	Hz	Wa	A	µF	m³/h	RPM	dBA	↻	Min / Max
230	50	34	0,15	1,5	320	1 415	47	L	-20°C / +70°C
230	60	32	0,14	1,5	405	1 695	62	L	-20°C / +70°C



- Ball bearing
- Class F, thermally protected
- IP44 protection
- G6.3 balancing
- Plastic impeller
- Rotor : black paint

Capacitor for 50Hz: 19005-0  
 Capacitor for 60Hz: 19005-0  
 Connecting box: 39658  
 Connector: 09145-0



Non contractual document. All specifications are subject to change without prior notice. Picture for information only.