

2VREt25 200A

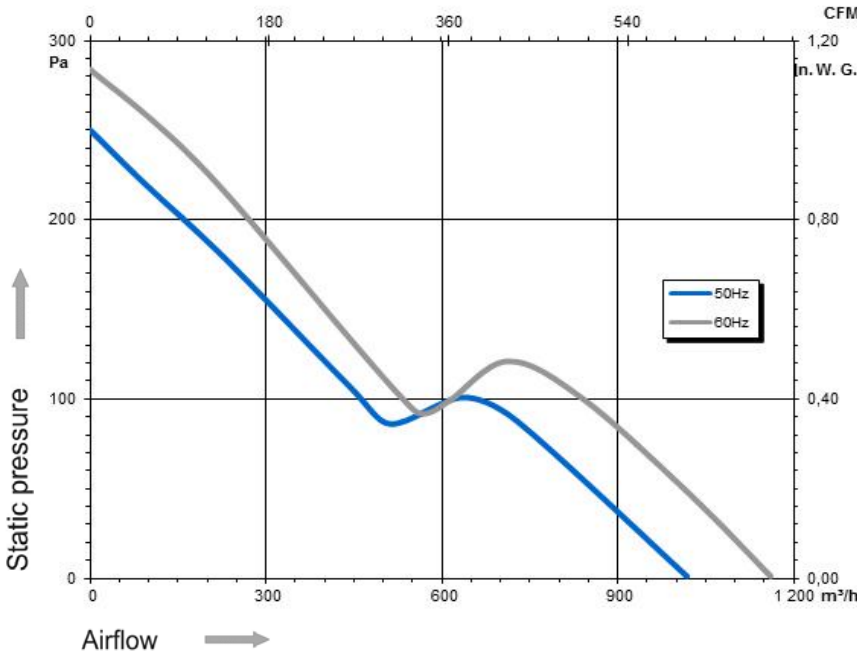
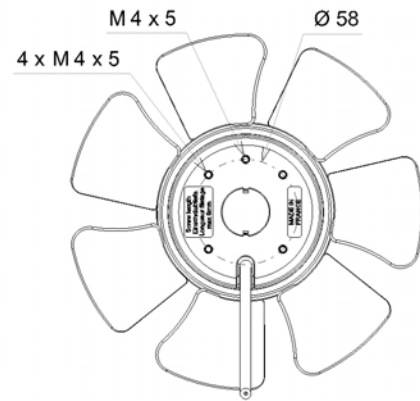
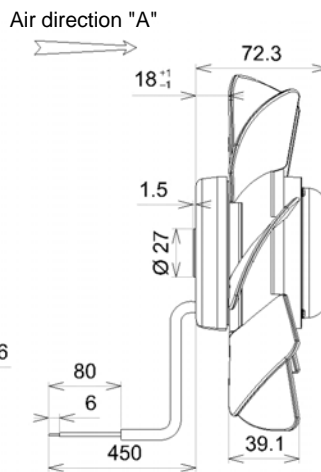
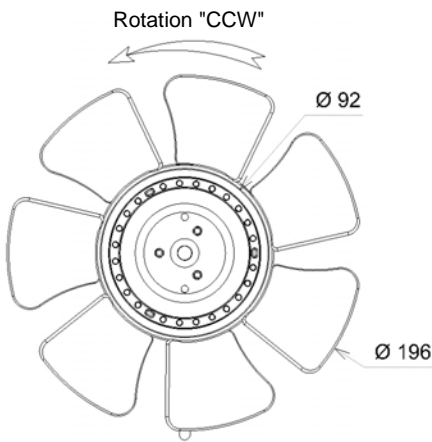
P/N R10-26

Voltage	Frequency	Input power	Current	Capacitor	Airflow	Speed rotation	Noise level	Rotation direction	Operating temperature	ErP 2013	ErP 2015
V	Hz	Wa	A	µF	m³/h	RPM	dBA	↻	Min / Max		
400	50	72	0,23	-	1 020	2 685	63	L	-20°C / +70°C	NA	NA
400	60	83	0,18	-	1 160	2 515	66	L	-20°C / +70°C		
400	50				600 CFM				-4°F / +158°F		
400	50				682 CFM				-4°F / +158°F		



dBa : free let out

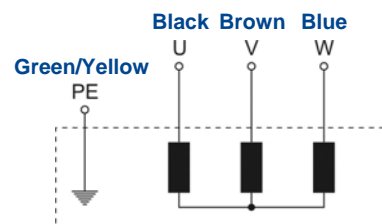
NA : Not Applicable



- Weight : 1,4 Kg
- Ball bearing
- Class F winding
- IP44 protection depending on instalation and position as per EN60034-5
- G6.3 balancing
- Plastic impeller PA 6/6
- Rotor : black paint



Capacitor for 50Hz	Capacitor for 60Hz	Connecting box	Connector
-	-	39658	09172



Non contractual document. All specifications are subject to change without prior notice. Picture for information only.