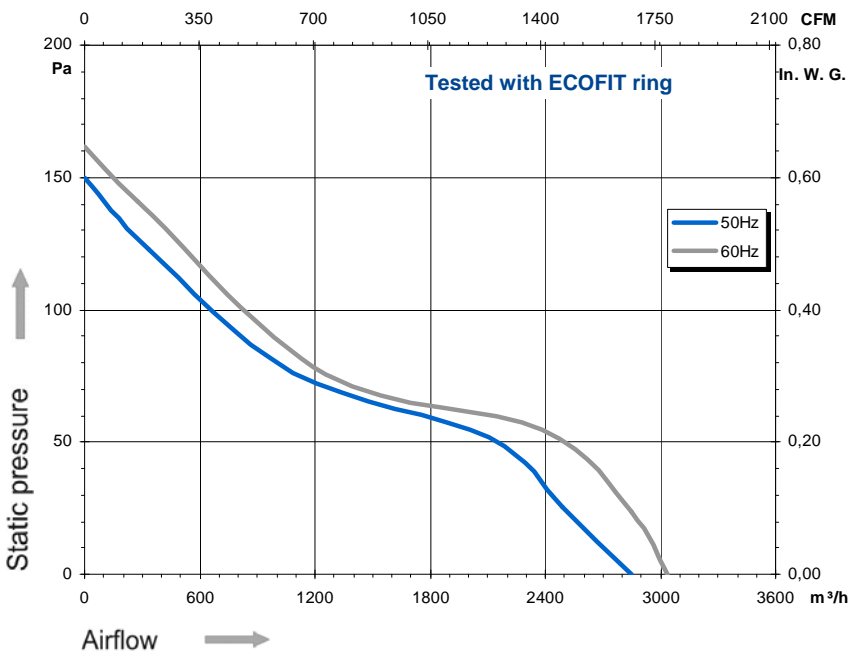
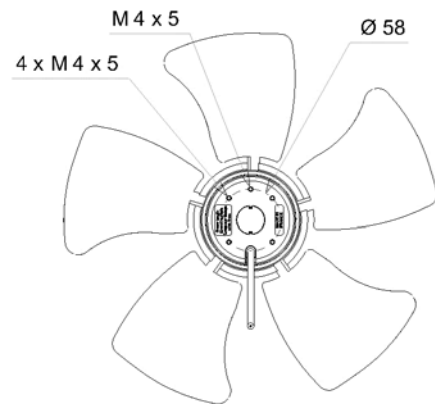
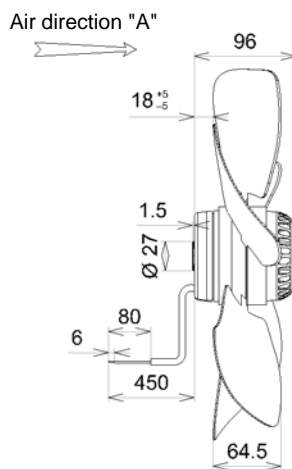
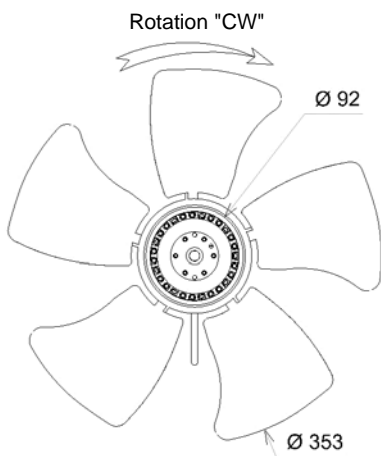


4VREt45 350A P/N R10-38

Voltage	Frequency	Input power	Current	Capacitor	Airflow	Speed rotation	Noise level	Rotation direction	Operating temperature	ErP 2013	ErP 2015
V	Hz	Wa	A	µF	m³/h	RPM	dBA	↻	Min / Max		
400	50	129	0,36	-	2 850	1 300	62	R	-20°C / +40°C	NOK	NOK
400	60	151	0,33	-	3 040	1 420	64	R	-20°C / +70°C		
400	50				1677 CFM				-4°F / +104°F		
400	50				1789 CFM				-4°F / +158°F		



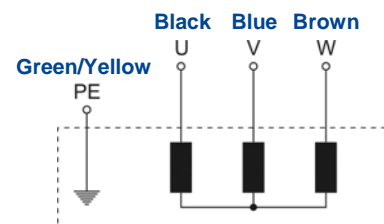
dBa : free let out



- Weight : 3,3 Kg
- Ball bearing
- Class F winding
- IP44 protection depending on installation and position as per EN60034-5
- G6.3 balancing
- Zinc coated impeller
- Rotor and impeller : black paint



Capacitor for 50Hz	Capacitor for 60Hz	Connecting box	Connector
-	-	39658	09172



Non contractual document. All specifications are subject to change without prior notice. Picture for information only.