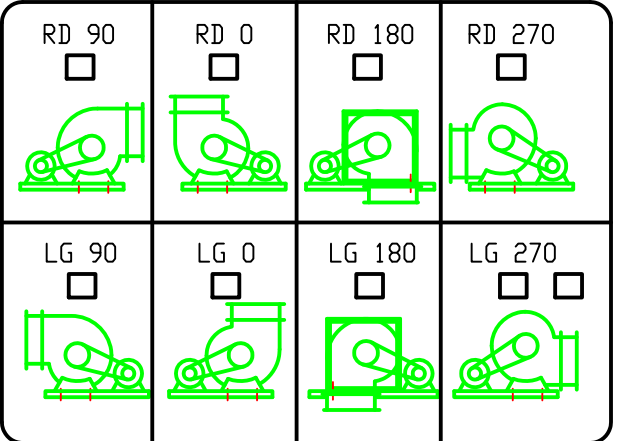


Ventilator HRZ TRZ 450
 HRE TRE

RD = Clock wise rot ; LG = Anti clock wise rot



Customer	Order - Nr.	Project	Pos.	Date	P. D. C.	Qty.	Deadline


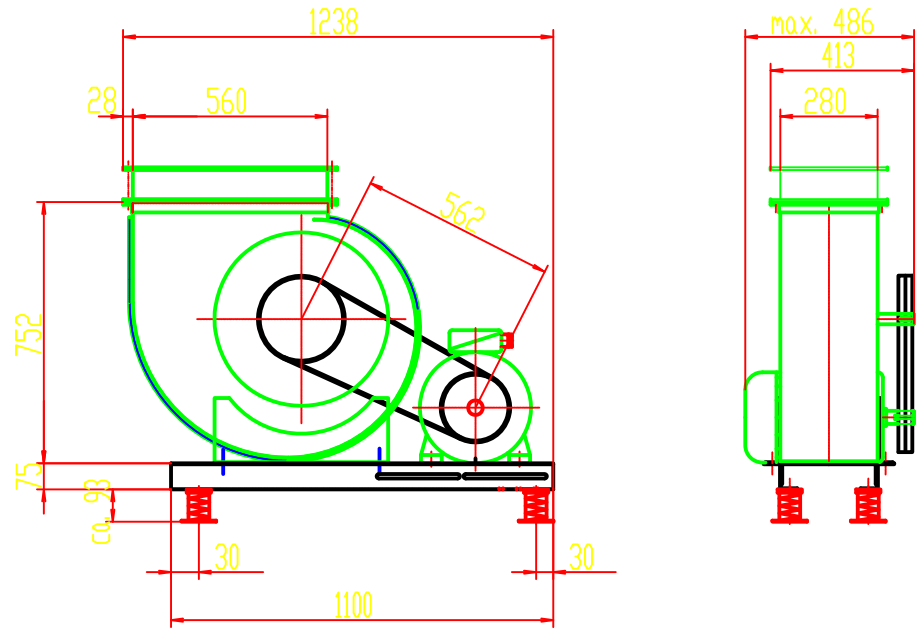
Air Volume	m ³ /h	Tot. pressure	Pa	Pow. o. sh.	kW	fan rpm	U/min

Motor Type - Poles	Output (KW)	Amps (A)	Volts (V)	Hz.
<input type="checkbox"/> Cold Conductor	Make	shaft ø mot (mm)	mot rpm (U/min)	
<input type="checkbox"/> Thermal Contact				

Belt Type / Qty.	Length	ø Motor Pulley / Shaft	ø Fan Pulley / Shaft	Shaft distance

- Belt Protection
- Outlet Collar
- Outlet Flange
- Inlet Collar
- Inlet Flange
- Inlet Guard
- Antivibration Mounts
- Rubber
- Spring
- EX-Execution
- Service Access
- Condensate Drain

Remarks : _____

f140r100-e